

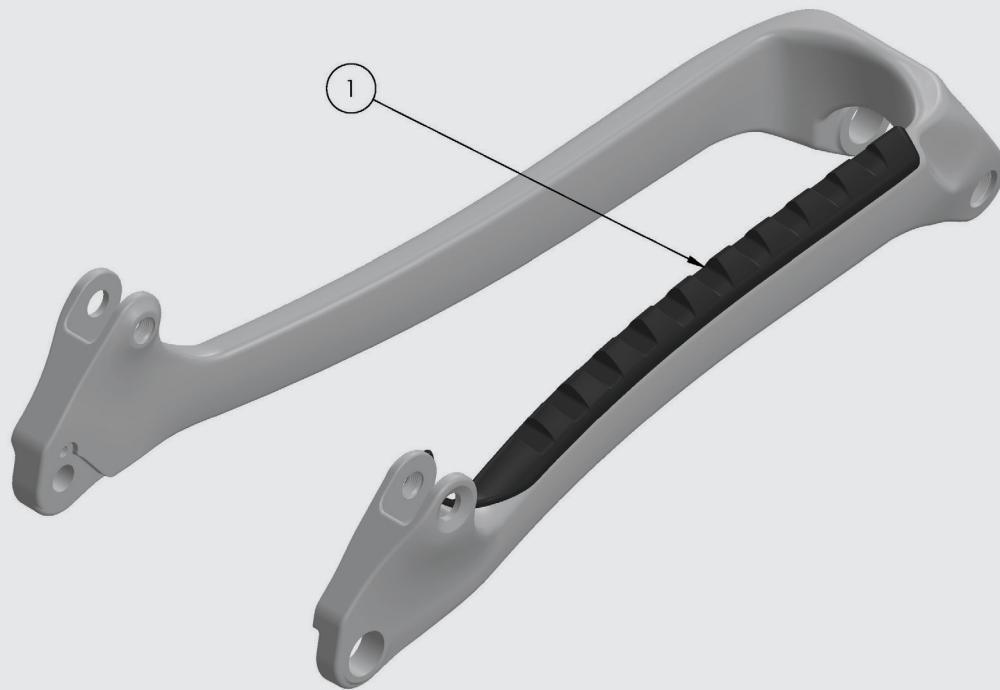


DRUID V2 //
EXPLODED VIEW

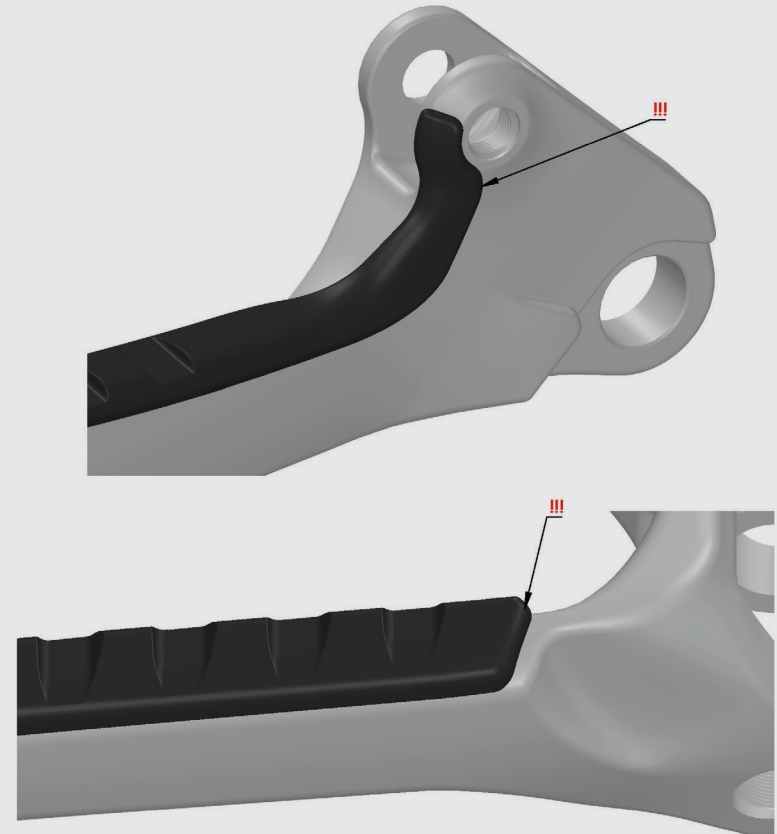
EXPLODED VIEW - V1.0



| ITEM NO. | DESCRIPTION | QTY |
|----------|------------------------------------|-----|
| 1 | 004.002.0010 - CHAINSTAY PROTECTOR | 1 |

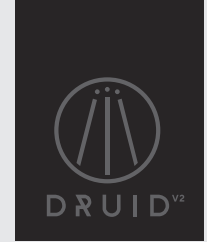


ATTENTION: ENSURE SURFACE IS CLEAN AND FREE FROM GREASE!

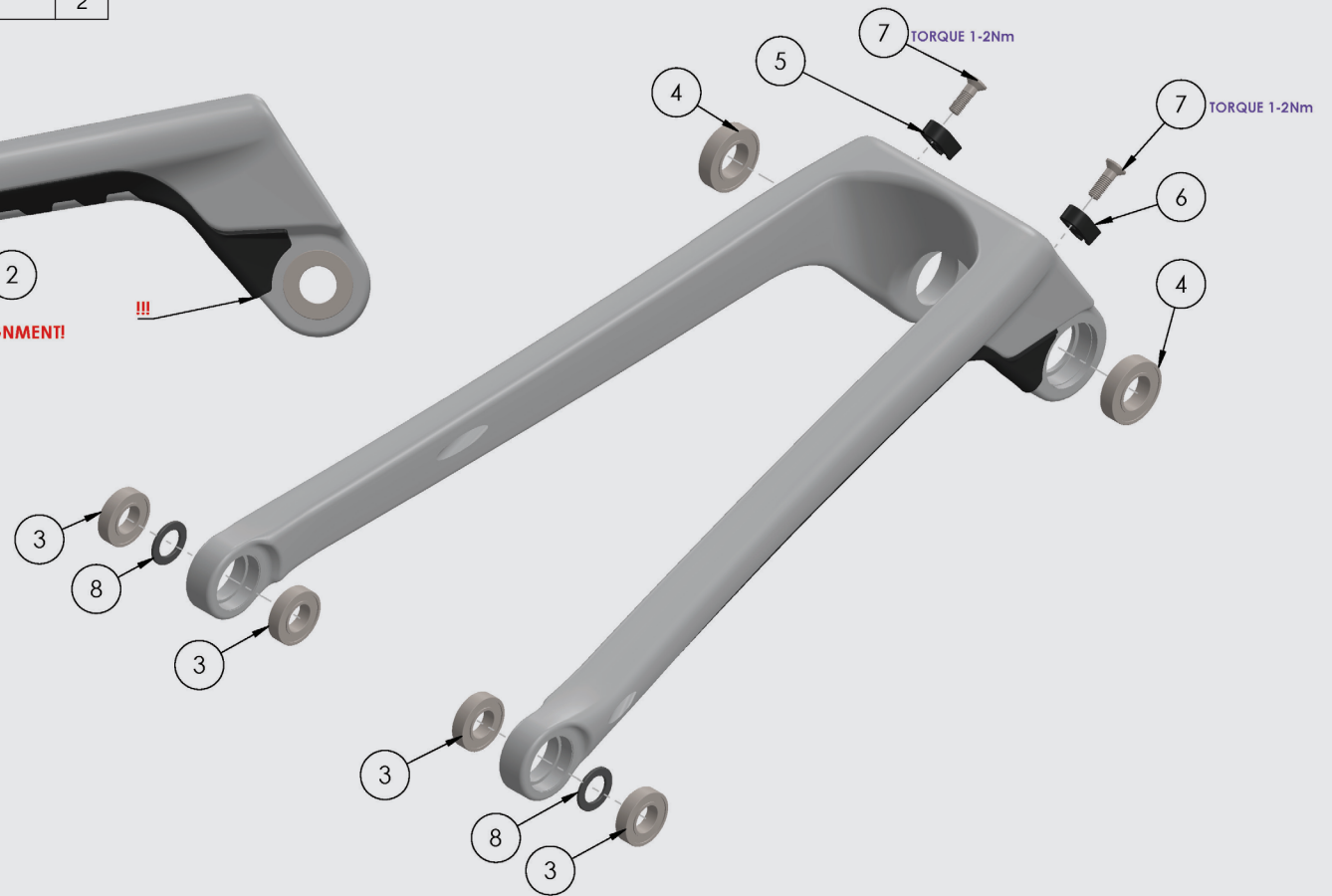
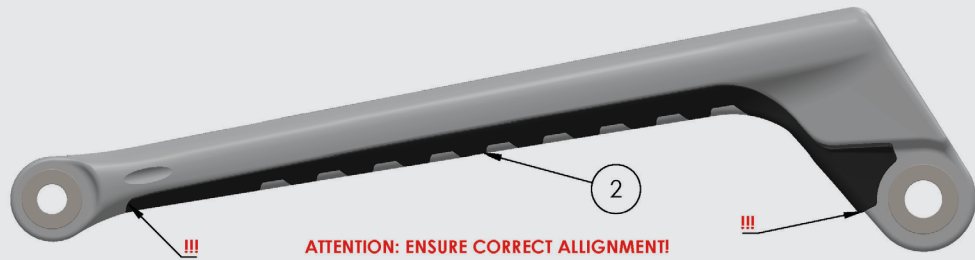


ATTENTION: ENSURE CORRECT ALIGNMENT!

EXPLODED VIEW - V1.0

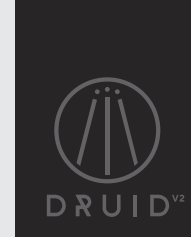


| ITEM NO. | DESCRIPTION | QTY |
|----------|--|-----|
| 2 | 004.002.0011 - SEATSTAY PROTECTOR | 1 |
| 3 | N/A - ENDURO 6901 LLU MAX | 4 |
| 4 | N/A - ENDURO 6902 LLU MAX | 2 |
| 5 | 004.001.0004 - REAR TRIANGLE CABLE PORT LH | 1 |
| 6 | 004.001.0005 - REAR TRIANGLE CABLE PORT | 1 |
| 7 | 003.007.0013 - SEATSTAY CABLE PORT SCREW | 2 |
| 8 | 002.004.0016 - SPACER 12 x 1.5 | 2 |



ATTENTION: APPLY LIGHT FILM OF GREASE TO BEARING BORES BEFORE INSTALLATION!

EXPLODED VIEW - V1.0



| ITEM NO. | DESCRIPTION | QTY |
|----------|---------------------|-----|
| 3 | ENDURO 6901 LLU MAX | 2 |

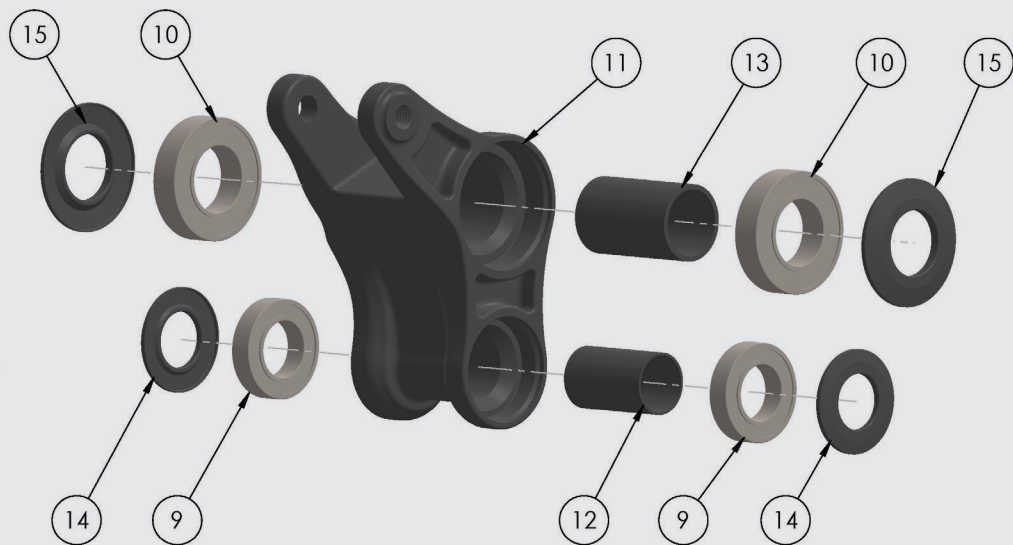


ATTENTION: APPLY LIGHT FILM OF GREASE TO BEARING BORES BEFORE INSTALLATION!

EXPLODED VIEW - V1.0

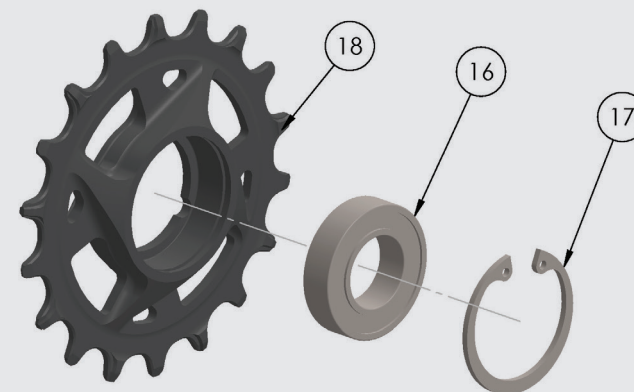


| ITEM NO. | DESCRIPTION | QTY |
|----------|-------------------------------------|-----|
| 9 | N/A - ENDURO 6903 LLU MAX | 2 |
| 10 | N/A - ENDURO 6904 LLU MAX | 2 |
| 11 | 001.001.0009 - DRUID V2 ROCKER LINK | 1 |
| 12 | 002.004.0018 - SPACER 17 x 31.5 | 1 |
| 13 | 002.004.0019 - SPACER 20 x 37.5 | 1 |
| 14 | 002.004.0014 - SPACER 17 x 2.25 | 2 |
| 15 | 002.004.0015 - SPACER 20 x 3.25 | 2 |

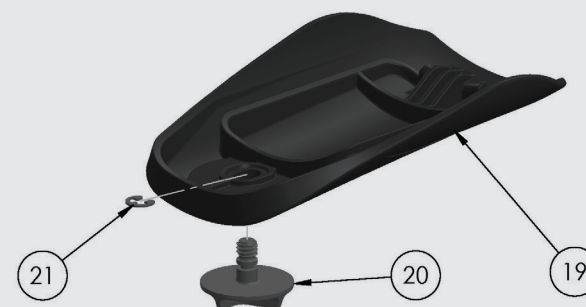


ATTENTION: APPLY LIGHT FILM OF GREASE TO BEARING BORES BEFORE INSTALLATION!

| ITEM NO. | DESCRIPTION | QTY |
|----------|------------------------------------|-----|
| 16 | 003.001.0011 - IDLER PULLEY 18T | 1 |
| 17 | N/A - ENDURO 6902 LLU MAX BOSL | 1 |
| 18 | 003.007.0007 - RETAINING RING 28mm | 1 |



ATTENTION: APPLY LIGHT FILM OF GREASE TO BEARING BORES BEFORE INSTALLATION!

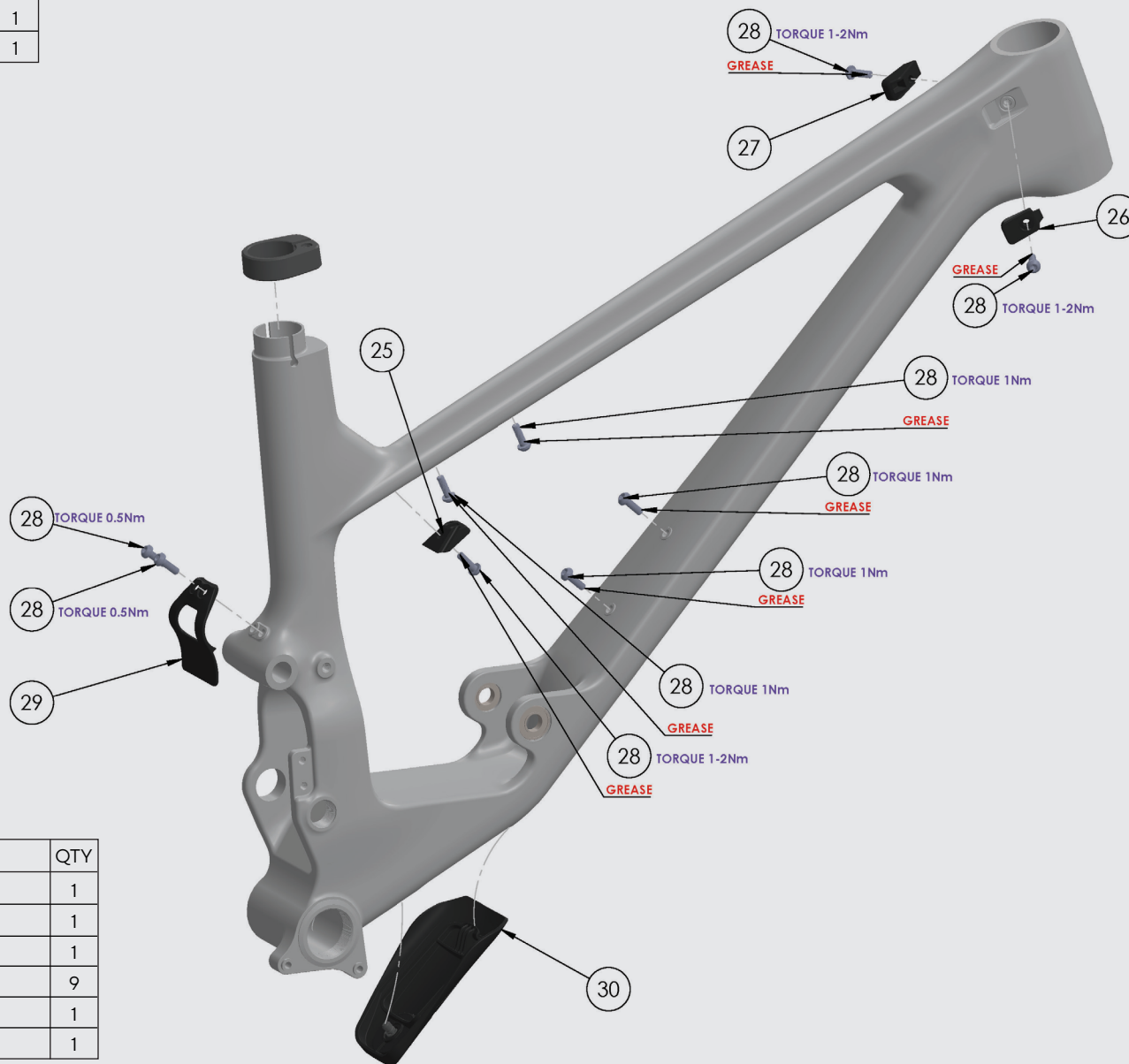
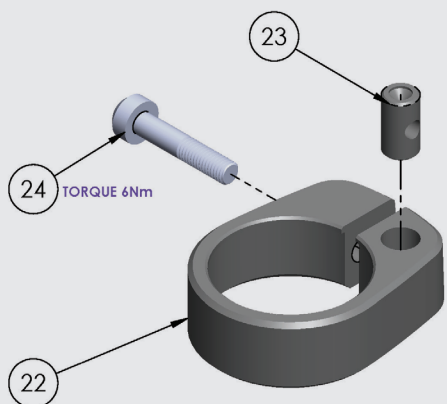


| ITEM NO. | DESCRIPTION | QTY |
|----------|-------------------------------------|-----|
| 19 | 004.002.0008 - V2 DOWNTUBE COVER | 1 |
| 20 | 003.007.0015 - DOWNTUBE COVER SCREW | 1 |
| 21 | 003.007.0017 - M4 E-CLIP | 1 |

EXPLODED VIEW - V1.0



| ITEM NO. | DESCRIPTION | QTY |
|----------|----------------------------------|-----|
| 22 | 003.006.0001 - SEAT CLAMP | 1 |
| 23 | 003.007.0008 - SEAT CLAMP BARREL | 1 |
| 24 | 003.007.0005 - SEAT CLAMP SCREW | 1 |

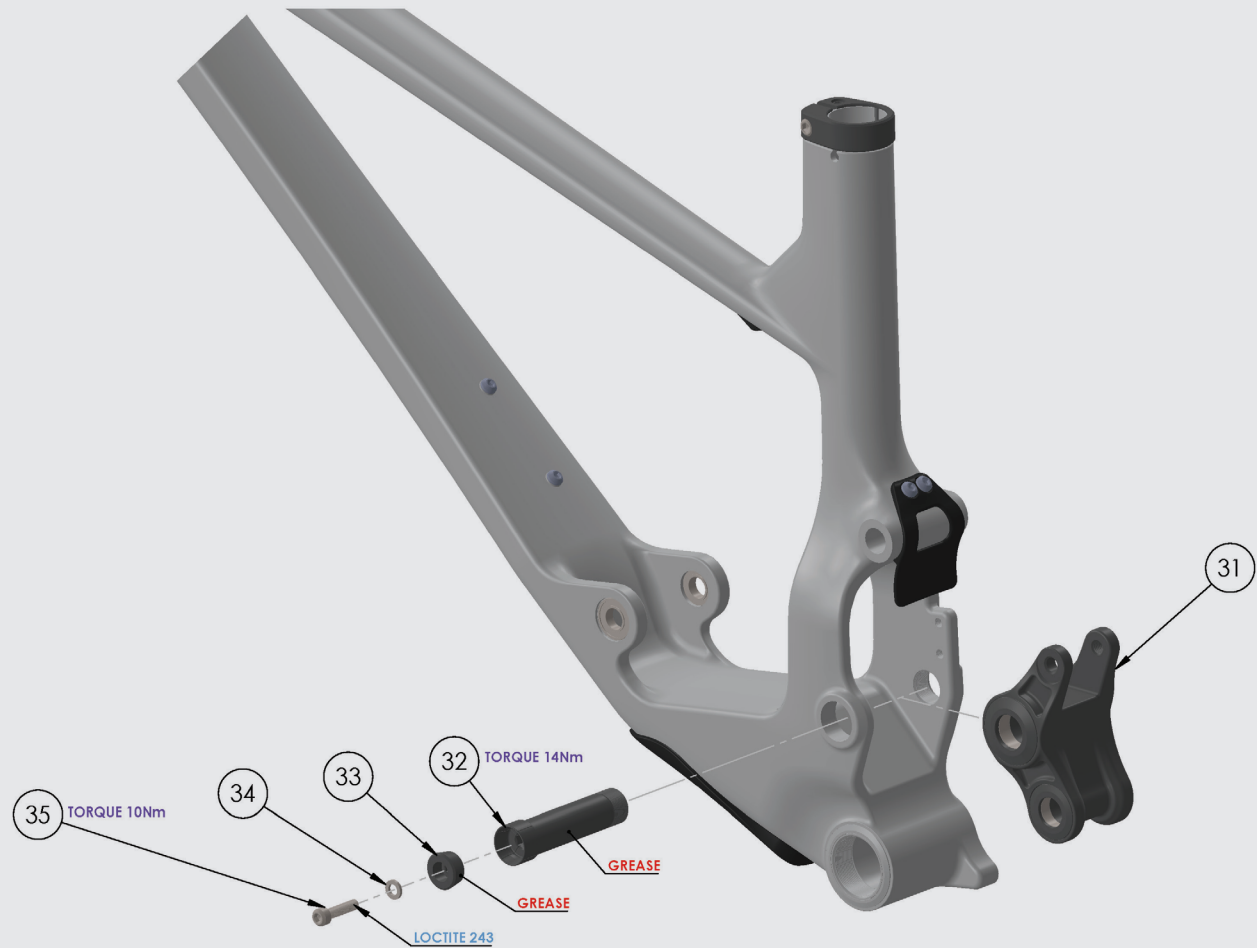


| ITEM NO. | DESCRIPTION | QTY |
|----------|----------------------------------|-----|
| 25 | 004.001.0001 - CABLE PORT DOUBLE | 1 |
| 26 | 004.001.0002 - CABLE PORT DOUBLE | 1 |
| 27 | 004.001.0003 - CABLE PORT SINGLE | 1 |
| 28 | 003.007.0002 - ACCESSORY SCREW | 9 |
| 29 | 004.002.0009 - V2 FENDER | 1 |
| 30 | N/A - V2 DOWNTUBE COVER ASSEMBLY | 1 |

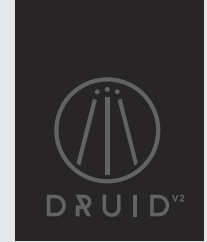
EXPLODED VIEW - V1.0



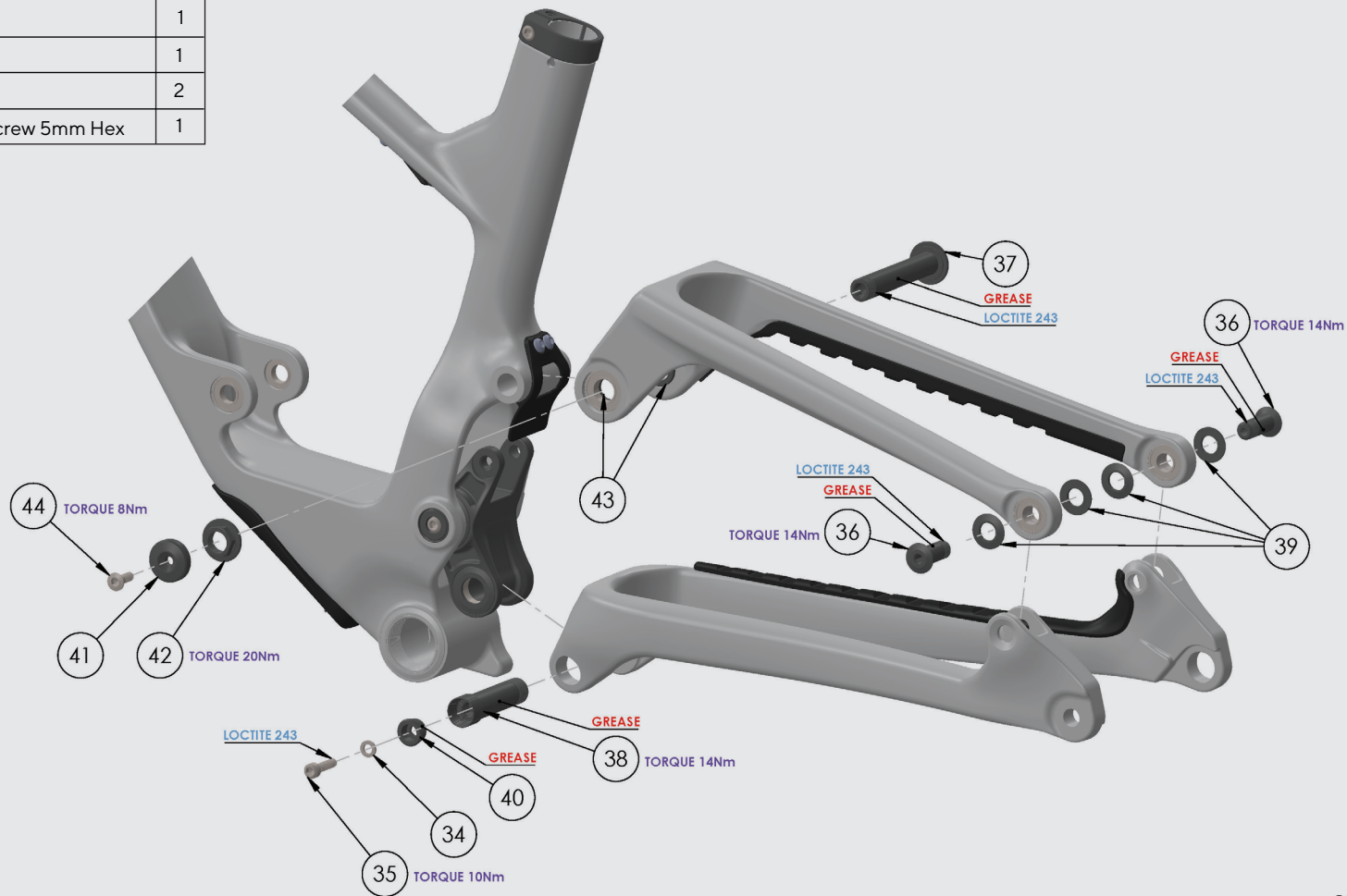
| ITEM NO. | DESCRIPTION | QTY |
|----------|---|-----|
| 31 | N/A - DRUID V2 ROCKER LINK ASSEMBLY | 1 |
| 32 | 002.001.0014 - SHAFT 20x60 Ext | 1 |
| 33 | 002.005.0002 - TAPERED WASHER 20mm | 1 |
| 34 | 002.005.0003 - M6 x 1.6 WASHER 11mm OD | 1 |
| 35 | 003.007.0011 - M6 x 25 TAPER SOCKET SCREW 5mm HEX | 1 |



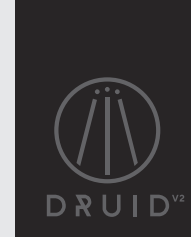
EXPLODED VIEW - V1.0



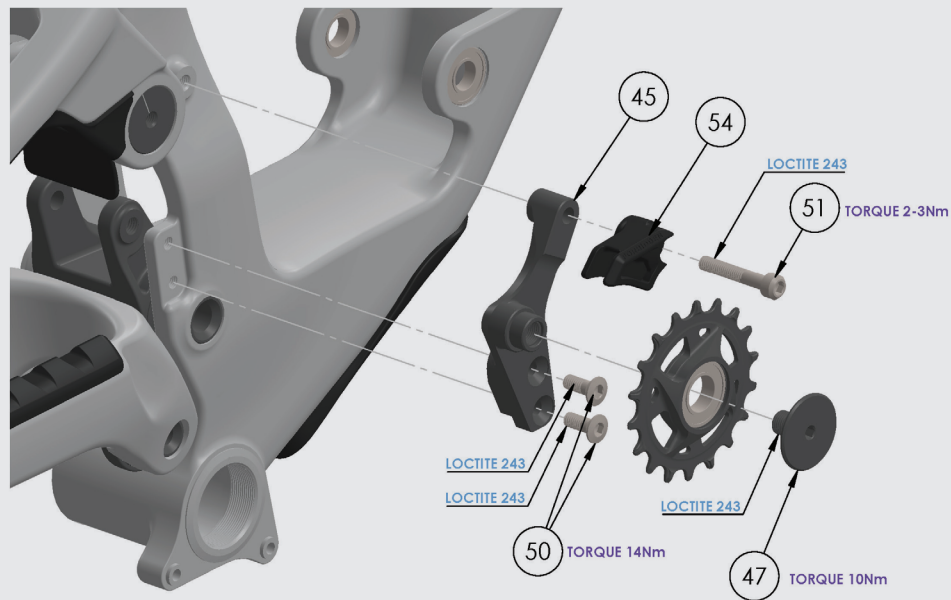
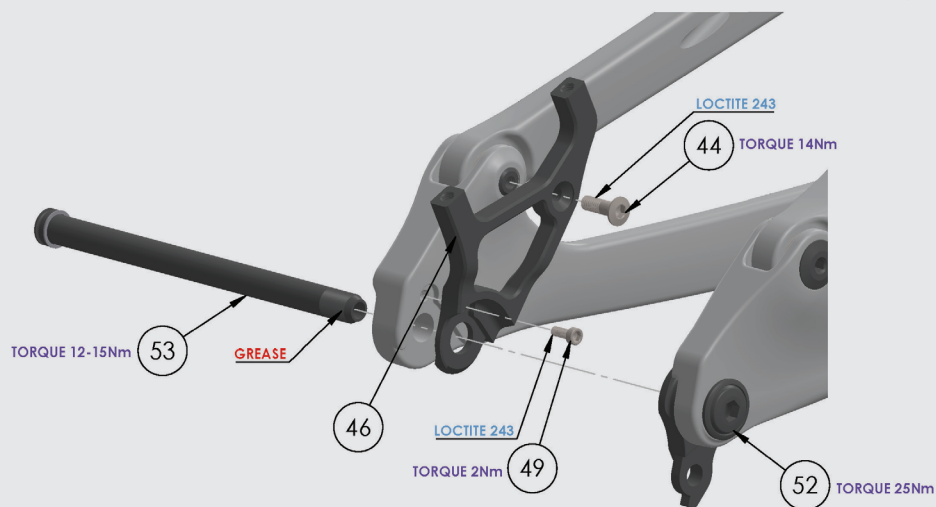
| ITEM NO. | DESCRIPTION | QTY |
|----------|---|-----|
| 36 | 002.001.0011 - SHAFT 12 x 30 | 2 |
| 37 | 002.001.0012 - SHAFT 15 x 82 EXT | 1 |
| 38 | 002.001.0013 - SHAFT 17 x 50 EXT | 1 |
| 39 | 002.004.0017 - SPACER 12 x 2.25 | 4 |
| 40 | 002.005.0001 - TAPERED WASHER 17mm | 1 |
| 35 | 003.007.0011 - M6 x 25 TAPER SOCKET SCREW 5mm Hex | 1 |
| 34 | 002.005.0003 - M6 x 1.6 WASHER 11mm OD | 1 |
| 41 | 003.004.0003 - LOCKING COVER M15 | 1 |
| 42 | 002.003.0002 - NUT 15 x 1 x 8 | 1 |
| 43 | 002.004.0013 - SPACER 15 x 3 | 2 |
| 44 | 003.007.0006 - M6 x 20 Countersunk Screw 5mm Hex | 1 |



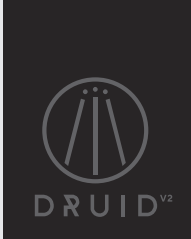
EXPLODED VIEW - V1.0



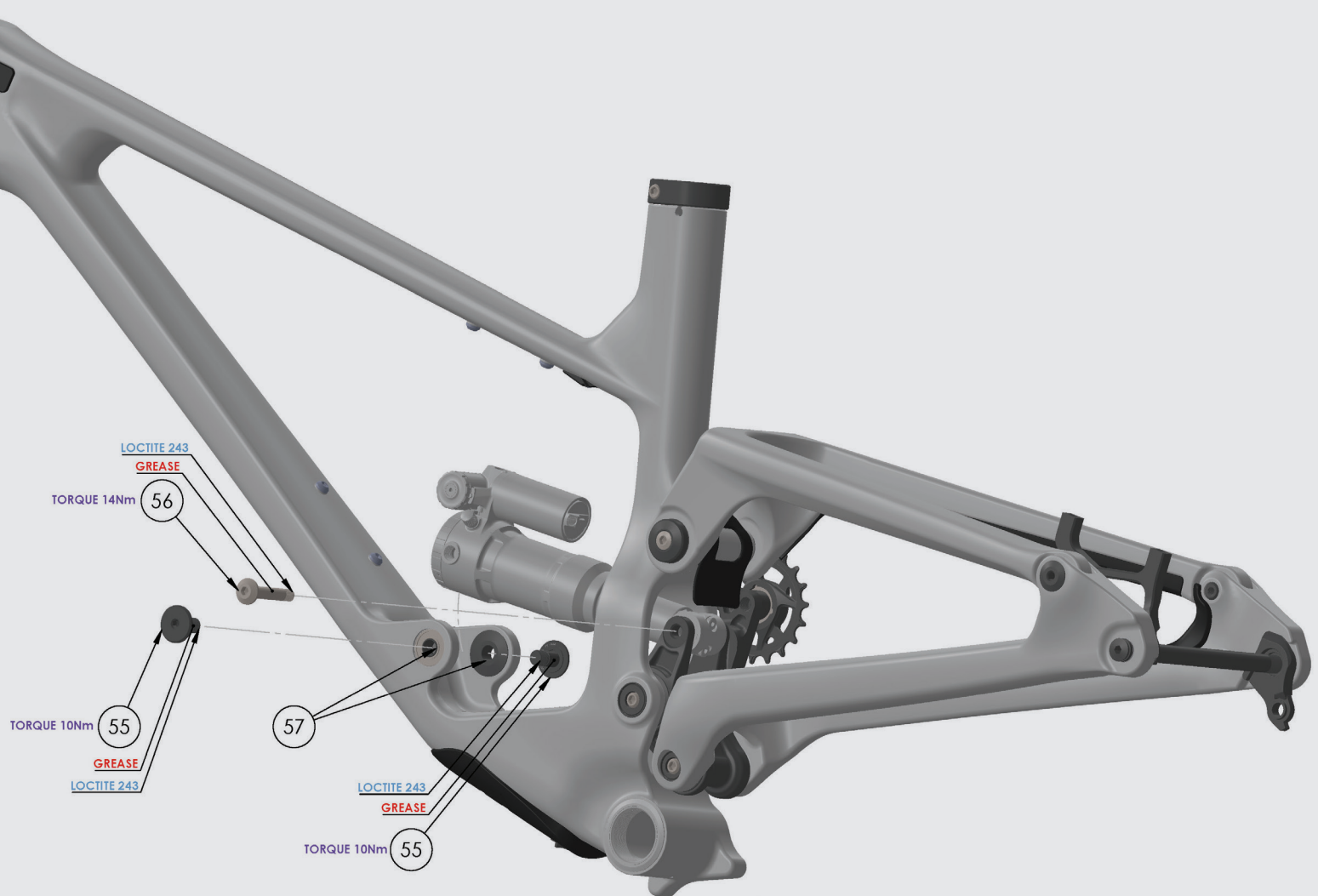
| ITEM NO. | DESCRIPTION | QTY |
|----------|---|-----|
| 45 | 003.001.0015 (Alt.003.001.0013) IP MOUNT ANGLED 55mm CL (Alt. IPMOUNT 52/55mm CL) | 1 |
| 46 | 001.005.0001 - BRAKE MOUNT 29 (0) 180mm | 1 |
| 47 | 003.001.0011 - IDLER PULLEY 18T 52-55mm CL | 1 |
| 48 | 003.001.0014 - IDLER PULLY SCREW 10x1 | 1 |
| 49 | 003.007.0012 - M4 x 10 TAPER SOCKET SCREW 4mm HEX | 1 |
| 50 | 003.007.0009 - M6 x 16 COUNTERSUNK SCREW 5mm HEX | 2 |
| 51 | 003.007.0010 - M6 x 35 TAPER SOCKET SCREW 5mm HEX | 1 |
| 44 | 003.007.0006 - M6 x 20 COUNTERSUNK SCREW 5mm HEX | 1 |
| 52 | N/A - UNIVERSAL DERAILEUR HANGER | 1 |
| 53 | N/A - BURGTEC 180 x 1mm AXLE UDH | 1 |
| 54 | 004.003.0008 - DRUID V2 CHAIN GUIDE | 1 |



EXPLODED VIEW - V1.0



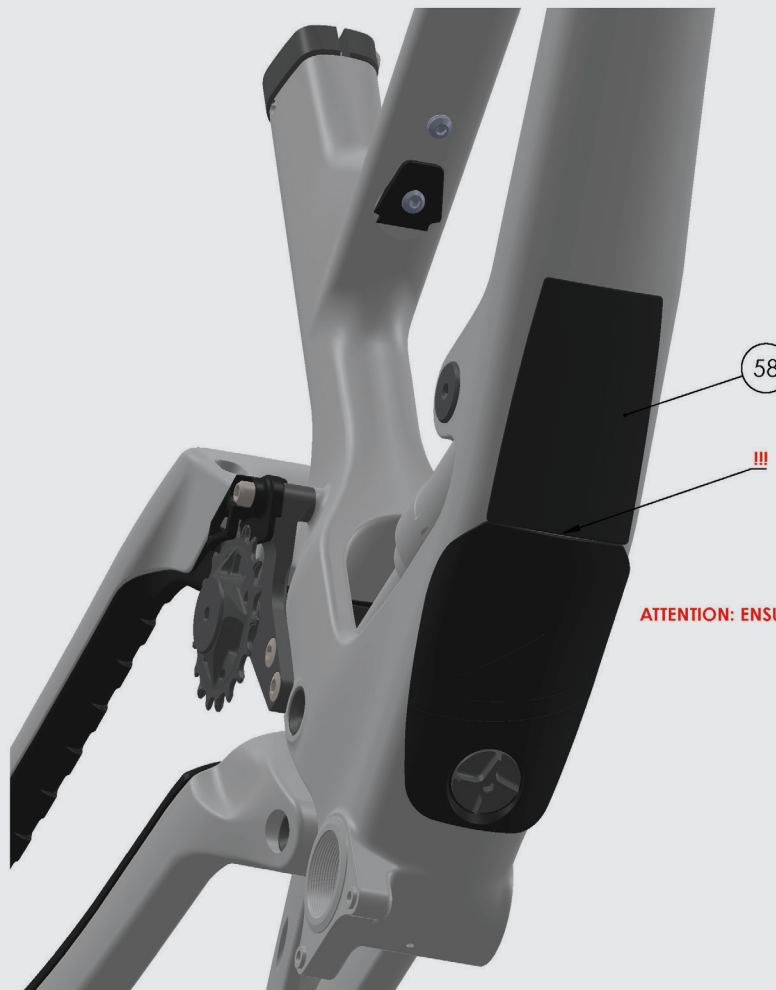
| ITEM NO. | DESCRIPTION | QTY |
|----------|---|-----|
| 55 | 002.002.0006 - SCREW 10 x 1x 18.5 24OD | 2 |
| 56 | 56 003.007.0004 - SHOCK SCREW 8 x 1.25 x 48 | 1 |
| 57 | 57 002.004.0010 - SPACER 10x4 FLANGED TOP HAT | 2 |



EXPLODED VIEW - V1.0



| ITEM NO. | DESCRIPTION | QTY |
|----------|--|-----|
| 58 | 004.002.0005 - DOWNTUBE PROTECTION LOWER | 1 |



ATTENTION: ENSURE CORRECT ALIGNMENT!

ATTENTION: ENSURE SURFACE IS CLEAN AND FREE FROM GREASE!