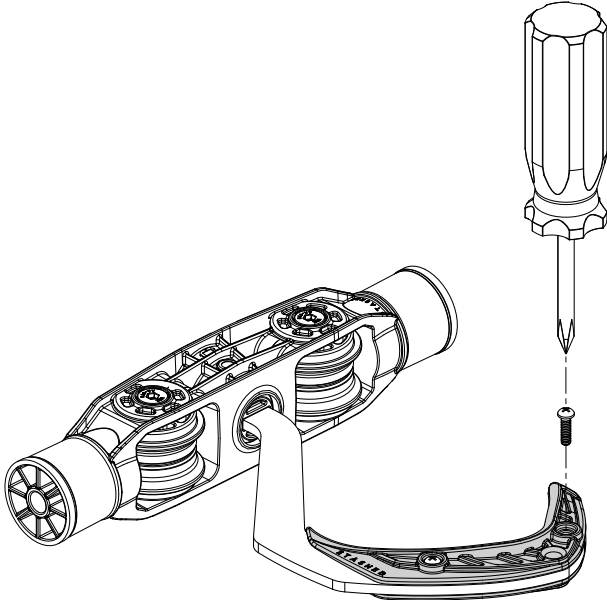


## HOOK COVER REPLACEMENT

**WARNING : DO NOT OVERTIGHTEN!**

Tighten the screws finger tight or around 2-3nm of torque with a pozi screwdriver only



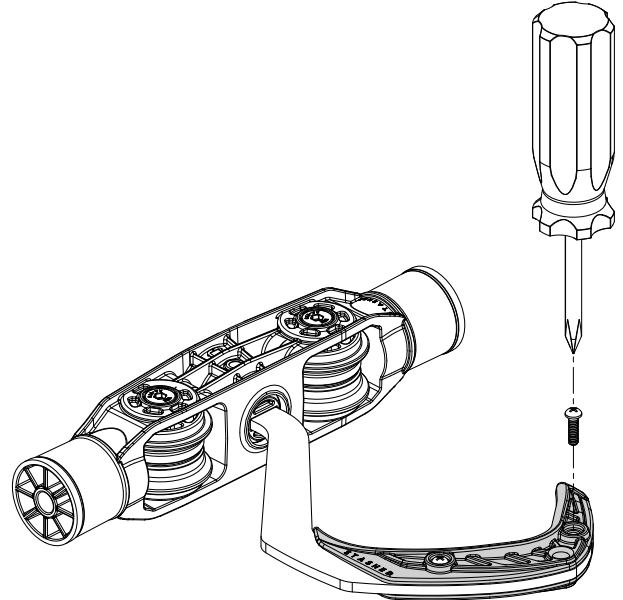
[sales@stashedproducts.co.uk](mailto:sales@stashedproducts.co.uk)

[www.stashedproducts.co.uk](http://www.stashedproducts.co.uk)

## HOOK COVER REPLACEMENT

**WARNING : DO NOT OVERTIGHTEN!**

Tighten the screws finger tight or around 2-3nm of torque with a pozi screwdriver only



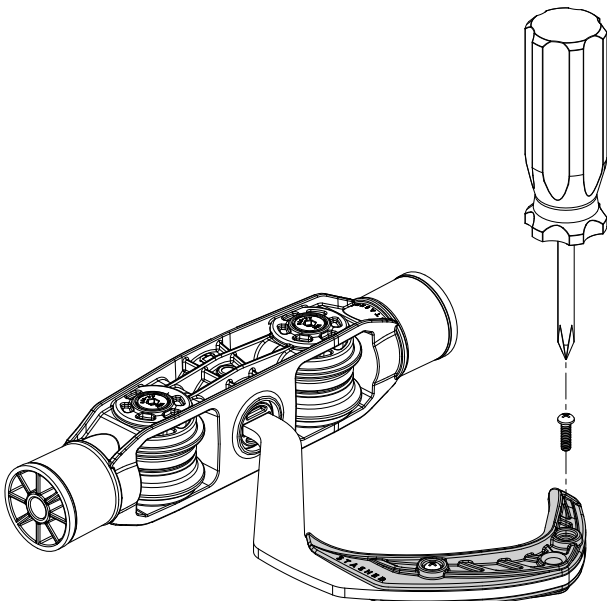
[sales@stashedproducts.co.uk](mailto:sales@stashedproducts.co.uk)

[www.stashedproducts.co.uk](http://www.stashedproducts.co.uk)

## HOOK COVER REPLACEMENT

**WARNING : DO NOT OVERTIGHTEN!**

Tighten the screws finger tight or around 2-3nm of torque with a pozi screwdriver only



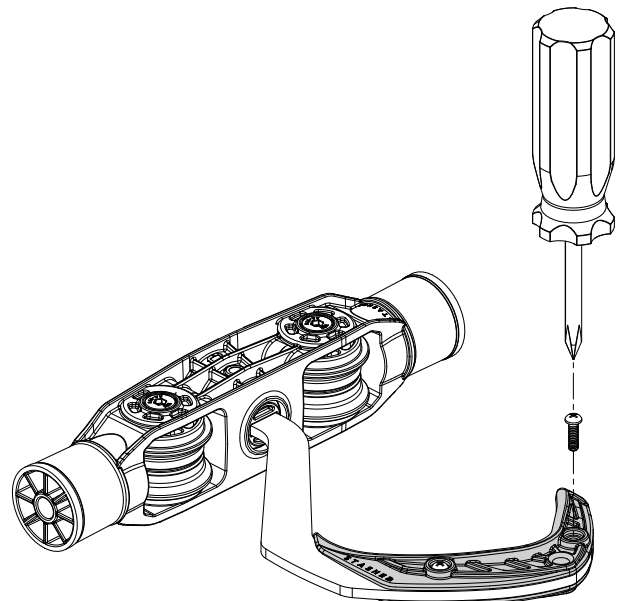
[sales@stashedproducts.co.uk](mailto:sales@stashedproducts.co.uk)

[www.stashedproducts.co.uk](http://www.stashedproducts.co.uk)

## HOOK COVER REPLACEMENT

**WARNING : DO NOT OVERTIGHTEN!**

Tighten the screws finger tight or around 2-3nm of torque with a pozi screwdriver only



[sales@stashedproducts.co.uk](mailto:sales@stashedproducts.co.uk)

[www.stashedproducts.co.uk](http://www.stashedproducts.co.uk)